



# Department of Transportation

State of Georgia

#2 Capitol Square, S.W.

Atlanta, Georgia 30334-1002

HAROLD E. LINNENKOHL  
COMMISSIONER  
(404) 656-5206

DAVID E. STUDSTILL, JR., P.E.  
CHIEF ENGINEER  
(404) 656-5277

BUDDY GRATTON, P.E.  
DEPUTY COMMISSIONER  
(404) 656-5212

EARL L. MAHFUZ  
TREASURER  
(404) 656-5224

November 14, 2006

Mr. Sid Johnson  
Geo Fabrics, LLC  
123 Nashville Hwy  
P. O. Box 46  
Enigma, GA 31749

Dear Mr. Johnson:

**Subject: Annual Product Evaluation**

The Department has approved the following products for use on our construction and maintenance projects. These products will be listed in the Qualified Products List as long as they continue to meet current specifications and perform satisfactorily in the field.

<u>QPL-36 Silt Fence Fabric</u>	<u>Trade Name</u>	<u>Product Type</u>
	GFG-A	A
	GFG-C	C

If you have any questions concerning this matter, please feel free to contact:

Brad Young (404) 363-7560 or  
Brennan A. Roney (404) 363-7606  
Georgia Department of Transportation  
Office of Materials and Research  
15 Kennedy Drive  
Forest Park, GA 30297

Products listed in the Qualified Products List (QPL) are subject to yearly evaluation. Samples will be requested at a later date. The QPL is now available on the Internet at <http://tomcat2.dot.state.ga.us/thefsource/sti/index.html>

Sincerely,

Georgene M. Geary, P.E.  
State Materials and Research Engineer

GMG:DW:BY:bar

Enclosure

**GEO FABRICS, LLC  
SPECIFICATION SHEET**

FABRIC APPROVED FOR: **GEORGIA DOT A**

FABRIC STYLE NO: PSFG-36B  
2007

DATE: Wednesday, November 28,

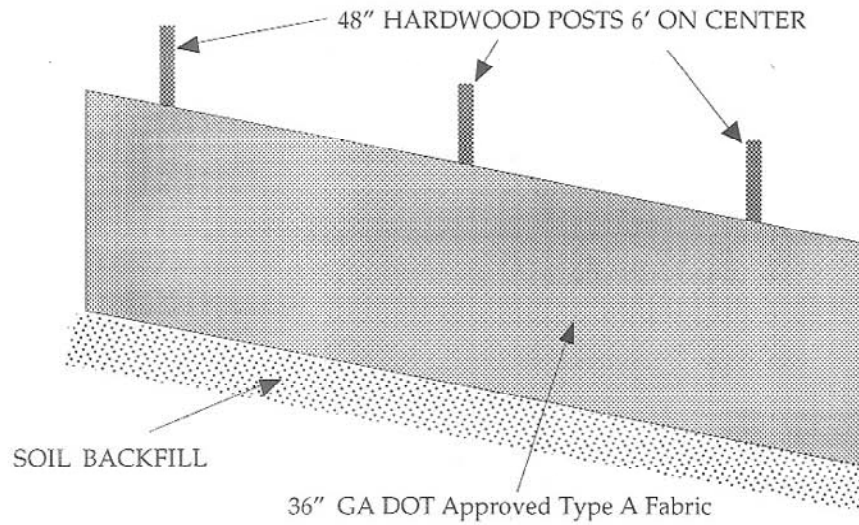
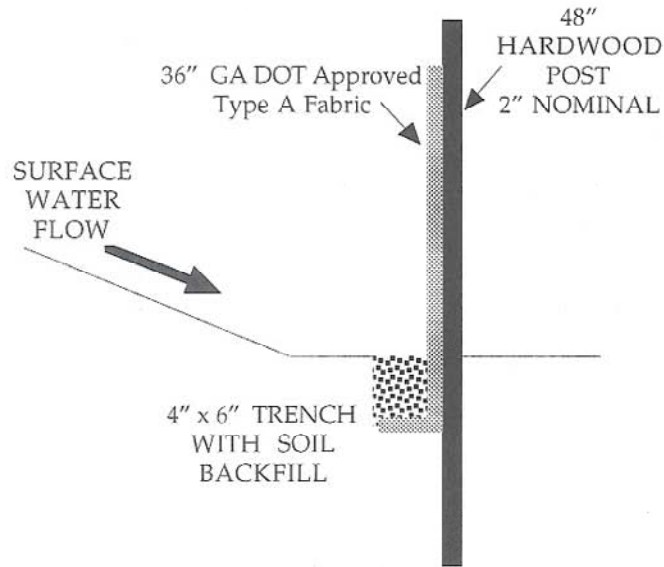
<u>PROPERTY</u>	<u>TEST METHOD</u>	<u>SPECIFICATION</u>
<b>MATERIAL</b>		<b>POLYPROPYLENE</b>
<b>WEIGHT</b>	<b>ASTM-D-3776 OPTION C</b>	<b>3.4 – 3.6 OZ. / SQ. YD.</b>
<b>COLOR</b>	<b>STAN-22</b>	<b>BLACK</b>
<b>TENSILE WARP (LBS) FILL (LBS)</b>	<b>ASTM-D-4632 ASTM-D-4632</b>	<b>120 MINIMUM 100 MINIMUM</b>
<b>MULLEN BURST (PSI)</b>	<b>ASTM-D-3786</b>	<b>175 MINIMUM</b>
<b>ELONGATION (MAX %)</b>	<b>ASTM-D-4532</b>	<b>40 MAXIMUM</b>
<b>FLOW RATE GALLONS PER MINUTE FT. SQ.</b>	<b>GDT-87</b>	<b>25 MINIMUM</b>
<b>AOS (Apparent Opening Size) US SIEVE NUMBER</b>	<b>ASTM-D-4751</b>	<b>30 MAXIMUM</b>
<b>UV RESISTANCE STRENGTH RETENTION AFTER 300 HOURS</b>	<b>ASTM-D-4355</b>	<b>80%</b>
<b>FABRIC WIDTH (INCHES)</b>		<b>36 MINIMUM</b>
<b><u>WARRANTY</u></b>		

This is to warrant that the product PSFG – 36B as manufactured and sold by Geo Fabrics, LLC is a Silt Fence Fabric meeting the requirements of Sub Section 171-02 of the Georgia Department of Transportation Standard Specifications.

“We further warrant that material furnished to State of Georgia projects will be replaced without cost to the purchaser and State of Georgia when found not in conformity with any of the specified requirements. We accept full responsibility for determining the governing specification for each order, provided we are given notice of revised specifications, and we warrant that the material currently being furnished is identical in formulation, composition and properties as the material originally submitted for source approval.”

Sid Johnson

# GA DOT TYPE A SILT FENCE



**EF S** *Engineered Fabric Specialists, Inc.*  
 P.O. Box 1430  
 Norcross, GA 30091-1430

2450 PLEASANTDALE ROAD  
 ATLANTA, GA 30340  
 PH: (770)409-1515 FAX: (770)409-1117

GA DOT TYPE A SILT FENCE

PER GA DOT  
 QUALIFIED PRODUCTS LIST  
 NO. 36

PROPOSED SILT FENCE  
 FOR SEDIMENTATION CONTROL

DATE: JANUARY 1, 2003

1	1
---	---